



COMPOUND CONE CRUSHER

ZHENGZHOU HAMAC AUTOMATION EQUIPMENT CO., LTD

WWW.HAMACCHINA.COM

COMPOUND CONE CRUSHER



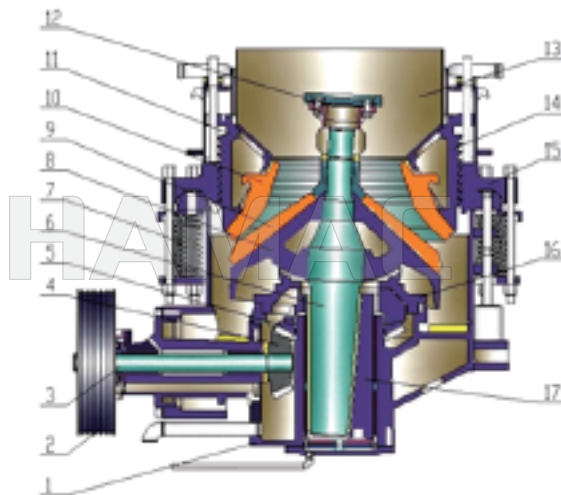
INTRODUCTION

Compound cone crusher is one of different types of cone crusher for sale. It is more advanced than spring cone crusher, but also include the advantages of hydraulic cone crusher. That is why it is called as compound cone crusher.

This series compound cone crusher are divided into coarse crushing, medium coarse crushing, fine crushing according to the requirements of crushing operation. HMC Series compound cone crusher has hydraulic clearing system, hydraulic opening adjusting function, easy for replacing concave and mantle, decreasing management and maintenance cost, It is widely used for medium and fine crushing of granite, basalt, diabase, cobblestone, iron ore etc.

WORKING PRINCIPLE

When the cone crusher plant is working, the moving cone of the cone crusher machine makes a swinging motion around the fixed cone. Therefore, the cone crusher bowl liner of the movable cone and the fixed cone of the crusher are sometimes approached and sometimes drifts away, so that the stone or mineral ore are continuously impacted, squeezed and bent in the crushing cavity to achieve the crushing of the materials, and complete the crushing and discharging. The surface of the crushing cavity is covered with a wear-resistant high manganese steel lining plate. The size of the discharge opening is adjusted hydraulically.



1. Frame
2. Large pulley
3. Drive shaft
4. Pinion gear
5. Bevel gear
6. Main shaft
7. Spring structure
8. Cone part
9. Mantle
10. Concave
11. Adjustment sleeve
12. Distributor plate
13. Feeding hopper
14. Adjustment sleeve
15. Support sleeve
16. Bowl bearing bracket
17. Eccentric sleeve

ADVANTAGES

Compound Cone Crusher

- 1.It only takes 2 hours to replace the cone crusher concave and mantle, reduce the downtime;
- 2.Crushing ratio is bigger, feed opening is bigger, discharge opening is smaller, greater eccentricity of main shaft. Therefore, the output capacity per unit time is larger.
- 3.The main shaft speed is increased on the basis of the traditional spring cone crusher machine, which makes the utilization rate of electric energy high and reduces the cost.
- 4.Multiple crushing cavity types: HMC series compound cone crusher has a special cavity design, and users can choose a proper cavity type with higher crushing efficiency, uniform product particle size, good stone shape, uniform wear of cone crusher concave and cone crusher mantle and long service life according to application requirements.
- 5.Dry oil seal and dustproof; HMC series compound cone crusher has unique dustproof sealing structure and reliable sealing effect. Its performance is far better than traditional water sealing, which prolongs the replacement cycle of lubricating oil and the use of bearings, bearing bushes, gears and other parts long life, suitable for use in areas with little or no water,
- 6.Daily operation and maintenance costs are low. The material selection and structural design of the cone crusher parts are reliable, and the service life is long; the crushing force arm is long, which reduces the sliding bearing, the crushing efficiency is high, the particle size of the crushed products is uniform, and the cyclic load is reduced; the hydraulic adjustment, locking and cavity cleaning system is easy to be operated, which improves the cone crusher machine operation rate; low power consumption and reasonable distribution.



TECHNICAL DATA

Compound Cone Crusher

Model	Cavity Type	Stroke(mm)	Max. Feeding size(mm)	Discharging Opening (mm)	Capacity(t/h)	Motor Power(kW)	Weight (t)
HMC1650C2-D	Coarse	34	300	35-65	280-610	250	35
HMC1650C-D	Coarse	34	260	30-60	265-580	250	35
HMC1650Z-D	Medium Coarse	34	240	25-60	240-550	250	35
HMC1650S-X	Fine	28	130	20-45	180-350	220	35
HMC1400C-D	Coarse	30	235	30-60	210-530	220	25
HMC1400Z-D	MediumCoarse	30	215	25-50	200-500	220	25
HMC1400Z-X	MediumCoarse	25	180	22-45	180-475	250	25
HMC1400S-X	Fine	25	100	19-40	130-260	220	25
HMC1200C-D	Coarse	22	180	19-50	110-250	132	16
HMC1200S-X	fine	15	80	16-40	80-180	132	16

* Note: HAMAC follows the principle of the perfecting the performance of the products, material and specification may be changed without advice.

GALLERY

Compound Cone Crusher





WHY CHOOSE HAMAC?

HAMAC Automation Equipment Co., Ltd is a professional supplier for construction machinery located in Zhengzhou and Qingdao, China. Based on the two manufacture bases, HAMAC's Parent company occupies big market in domestic market, and built agents and distributors in China mainland. HAMAC is treated as an international brand to promote the overseas market. We are becoming a famous global brand in construction machinery industry.



HAMAC owns a strict quality control system to select our suppliers, to check all the products from HAMAC also; HAMAC does not pursue a high profit, but with reasonable profits to cover basic cost and to confirm the quality; HAMAC provides our clients with professional exporting service in addition to products, to make your purchase experience satisfied.





TO BE YOUR DEVOTED PARTNER



COMPOUND CONE CRUSHER



ZHENGZHOU HAMAC AUTOMATION EQUIPMENT CO., LTD

Tel: 0086-371-86525099 0086-151-36236223

Website: www.hamacchina.com

Email: sales@hamacchina.com

Address: 57th, Kexue Avenue, National HI-TECH Industrial
Development Zone, Zhengzhou, China

Note: HAMAC follows the principle of the perfecting the performance of the products, material and specification may changed without advice. The ultimate explanation belongs to HAMAC company.